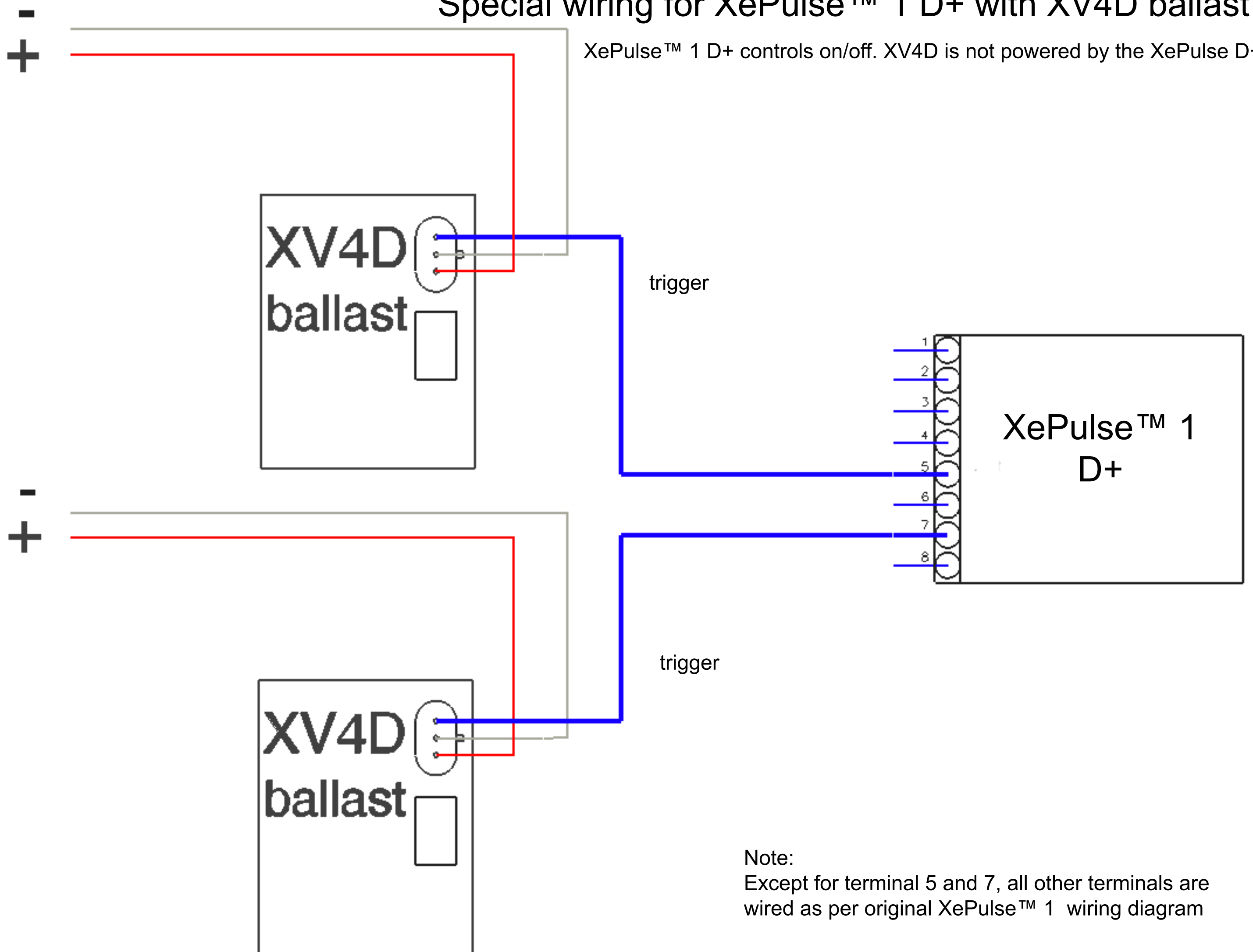


Special wiring for XePulse™ 1 D+ with XV4D ballast

XePulse™ 1 D+ controls on/off. XV4D is not powered by the XePulse D+



Note:
Except for terminal 5 and 7, all other terminals are
wired as per original XePulse™ 1 wiring diagram